

TELESTE ACE 3

1.2 GHZ INTELLIGENT BROADBAND AMPLIFIER

Der ACE3 ist ein intelligenter Verstärker mit einem aktiven Ausgang und einer Vorwärtsverstärkung bis zu 44 dB. Er bietet hohe Ausgangspegel (CTB/CSO 116.5/118 dB μ V) und unterstützt 1.2 GHz/204 MHz Bandbreite. Remote-Monitoring und Remote-Steuerung ist über DOCSIS oder HMS/CATVisor-Protokoll möglich.



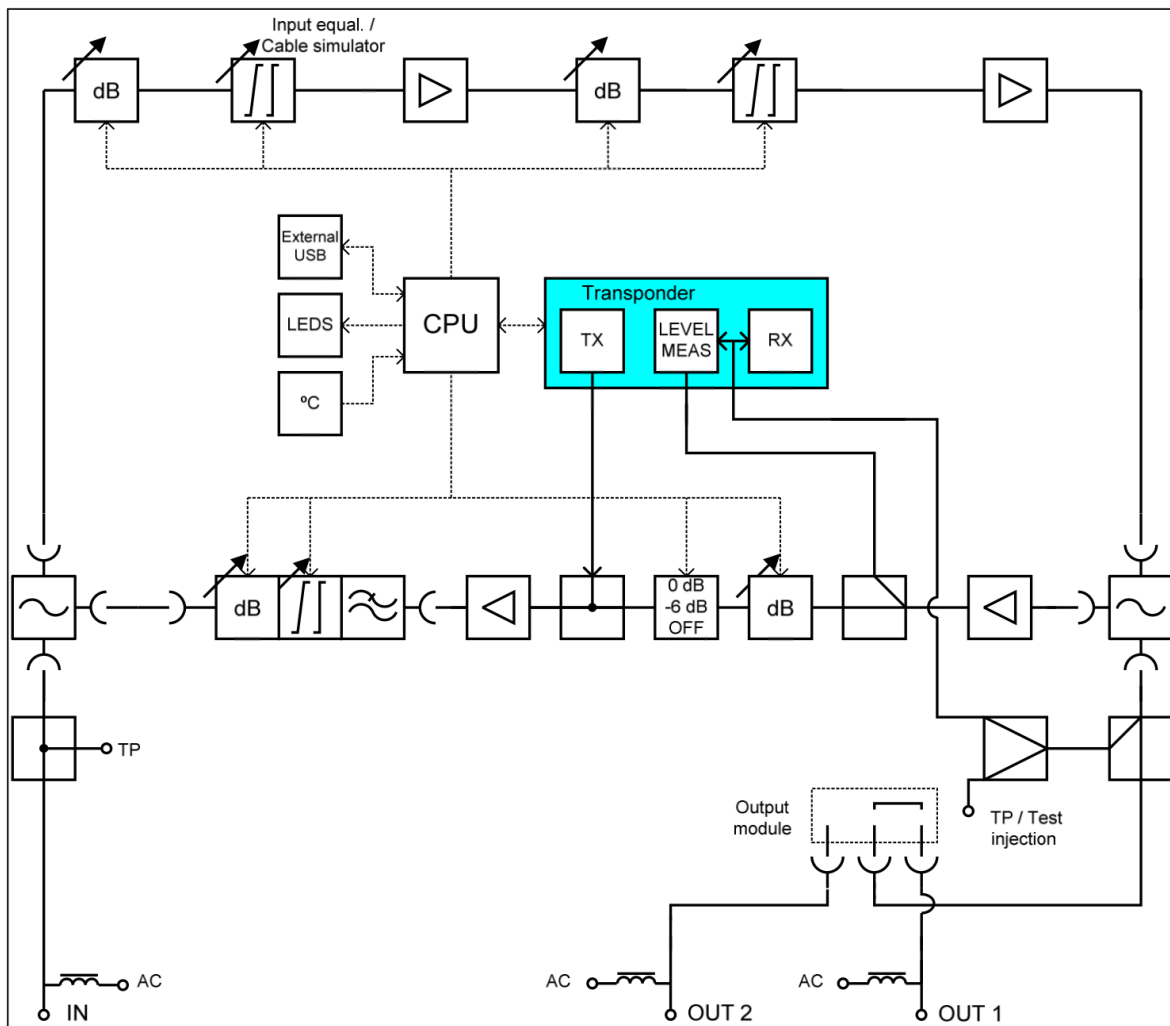
- Fernspeisung mit PFC
- Intelligente kontinuierliche Anpassungen
- Externer Zugang zum Ausgangs-Messpunkt
- Vorort Steuerung über externe USB-Verbindung
- Intelligente Kabelsimulation am Eingang
- Exzellenter ESD und Überspannungsschutz
- Verfügbar mittels Transponder-Plug-In: CATVisor / HMS oder DOCSIS Remote-Verbindung, fernsteuerbare Einstrahlungsüberwachung, ALSC mit programmierbaren Pilot-Trägern, Downstream Spektrum Analyser, Upstream Signal Monitoring mit automatischer Einstrahlungsüberwachung, richtiges Plug & Play mit einzelnen Drucktasten und Rückweg Pilot Generator

SPEZIFIKATIONEN

DOWNSTREAM SIGNAL PATH (VALUES WITH DIPLES FILTERS)		
Frequency range	MHz	85...1218
Return loss	dB	18
Maximum gain	dB	44
Input gain control	dB	-20...0
Input slope control	dB	-13...20
Input cable simulator	dB	-13
Interstage gain control	dB	-15...0
Nominal interstage slope	dB	13
Interstage slope control	dB	8...18
Pivot frequency selection	GHz	1.0/1.2
Flatness	dB	\pm 0.5
Group delay	ns	2
Test point	dB	-20
Transponder connection	dB	-19
Noise figure	dB	8.5
Umax(112 QAM channels) @1.0 GHz	dB μ V	111.5
Umax(138 QAM channels) @1.2 GHz	dB μ V	108.5
CTB 41 channels	dB μ V	116.5
CSO 41 channels	dB μ V	118.0
UPSTREAM SIGNAL PATH (VALUES WITH DIPLEX FILTERS)		
Frequency range	MHz	5...204
Return loss	dB	18
Maximum gain	dB	28
Ingress switching	dB	0 / -6 / < -40
Gain control	dB	0...28
Slope control	dB	0...15
Flatness	dB	\pm 0.5
Noise figure	dB	6.5

GENERAL		
Power consumption (65 / 230 V AC)	W	23
Supply voltage AC	V	27...65 / 40...90 / 205...255 V
Maximum current feed through	A	7.0 / port
Hum modulation	dB	70
Resistance for remote current	mΩ	25 / port
Input / Output connectors		PG11 (several adaptors available)
Test point connectors		F female
Local service port connector		USB mini-B
Dimensions (h x w x d)	mm	170 (200) x 230 x 90
Weight	kg	2.3
Operating temperature	°C	-40...+55
Class of enclosure		IP 54
Environmental (salt mist, cyclic)		IEC 60068-2-52, severity 1
Safety		EN60728-11 / EN60065
EMC		EN50083-2
ESD	kV	4
Surge	kV	6 (EN 60728-3)

BLOCKDIAGRAMM



BESTELLINFORMATIONEN

ACE3 configuration map

	1		2			3	4	5	6			7
	1	2	1	2	3	1	1	1	1	2	3	1
ACE3			-			-			-			

1-1 Gain and housing A 44 dB intelligent amplifier, normal lid B 44 dB intelligent amplifier, TP access through lid C 44 dB intelligent amplifier, ventilation hole closed	4-1 Output module A 0 dB (AC6120) X None
1-2 Power supply A Local powering, euro plug (230 VAC) B Remote powering with cable clamp (65 VAC) C Local powering, UK plug (230 VAC) D Remote powering with cable clamp (90 VAC)	5-1 Transponder module D ALSC+RIS module (AC6918) E Transponder and ALSC module (AC6992) F RIS module (AC6915) G DOCSIS transponder (AC6981) X None
2-1 Input connection (first from left) A PG11 B 5/8" C IEC D 3.5/12 E F	6-1 Communication protocol / application software X None A CATV/isor compatible B HMS/SNMP compatible C Customerspecific
2-2 Output 2 connection A PG11 B 5/8" C IEC D 3.5/12 E F X None (PG11sealing plug)	6-2 Settings X Factory default A Customerspecified (ECML file)
2-3 Output 1 connection (first from right) A PG11 B 5/8" C IEC D 3.5/12 E F	6-3 Product keys (software features) X None C Auto alignment, spectrum and ingress analyser, pilot generator
3-1 Diplexers A 65/85 MHz (2 x CXF065 + AC6254) B 85/105 MHz (2 x CXF085 + AC6255) C 204/258 MHz (2 x CXF204 + AC6256) D 204/258 MHz (2 x CXF204 + AC6257) E 65/85 MHz (CXF065 19 + CXF065 + AC6254) F 65/85 MHz (CXF065 10 + CXF065 + AC6254) K 204/258 MHz (CXF204+CXF204 19 + AC6257) X None	7-1 Customer specific selections W Customerspecific option X None

DOC0022968, Rev014